

## C-600P

Fixed Speed

Mechanical Cam

Output Adjustment



### Features:

- All ball bearing, permanently lubricated gear motor for smooth, quiet, powerful operation.
- Double-ball inlet and outlet cartridge type ceramic check valves. Chemical resistant PVDF valve body and fitting, ceramic balls, Viton static seals and TFE/P ball seat o-rings. No metal springs are used.
- Outputs to 516 GPD.
- Output pressures to 125 PSI.
- Stroke adjustment from 4-100% permits accurate small injections at a high rate per minute. 27:1 turndown
- Teflon coated EP diaphragm.
- Durable metal epoxy coated construction.
- PVDF suction (foot) valve with Viton and TFE/P o-rings, ceramic check ball and removable polypropylene filter screen.
- Includes 3/8" OD suction and discharge tubing, Injection fitting with spring-loaded check valve and all mounting

### Specifications:

Max. working pressure: .....125 psig (8.6 bar)

Max. fluid temperature: .....130° F (54° C)

Max. ambient temperature: ..14° to 110° F/ -10° to 43° C

Maximum viscosity: .....1,000 Centipoise

Maximum suction lift: .....10 ft. Water 0 psig

Output adjustment range: ....4-100% stroke length

Duty cycle:.....Continuous

Enclosure: .....NEMA type 1, (IP20)

Voltage (amp draw): .....115VAC/60Hz, 1ph (.74 amp max)

230VAC/60Hz, 1ph (.36 amp max)

220VAC/50Hz, 1ph (.31 amp max)

24VAC/60Hz, 1ph (3.40 amp max)

12VDC (3.00 amp max)

24VDC (1.50 amp max)

Power Connection: .....Junction box for field wiring

Approximate shipping wt: ...8 lb. (3.6 kg)

### Materials of Construction:

#### Wetted components:

Pump Head: .....Polypropylene (options: Teflon, Acrylic)

Pump Head Inlet/outlet Valves:

Cartridge valve body: .....PVDF

Tube adapters: .....PVDF

Check Balls: .....Ceramic

Ball Seat O-ring: .....TFE/P (optional EP)

Static Seal O-ring: .....Viton<sup>®</sup> (optional EP)

Suction Tubing: .....Clear PVC

Discharge Tubing: .....Natural Polyethylene (LLDPE)

Suction Footvalve/Strainer:

Body & Tubing adapter:.....PVDF (optional Teflon)

Strainer: .....Polypropylene

Check Ball: .....Ceramic (optional Teflon poppet)

Ball Seat O-ring: .....TFE/P (optional EP)

Static Seal O-ring: .....Viton<sup>®</sup> (optional EP)

Injection/Check valve:

Body & insert: .....Polypropylene (optional PVDF, Teflon)

Check Ball: .....Ceramic (optional Teflon poppet)

Spring: .....Hastelloy C-276

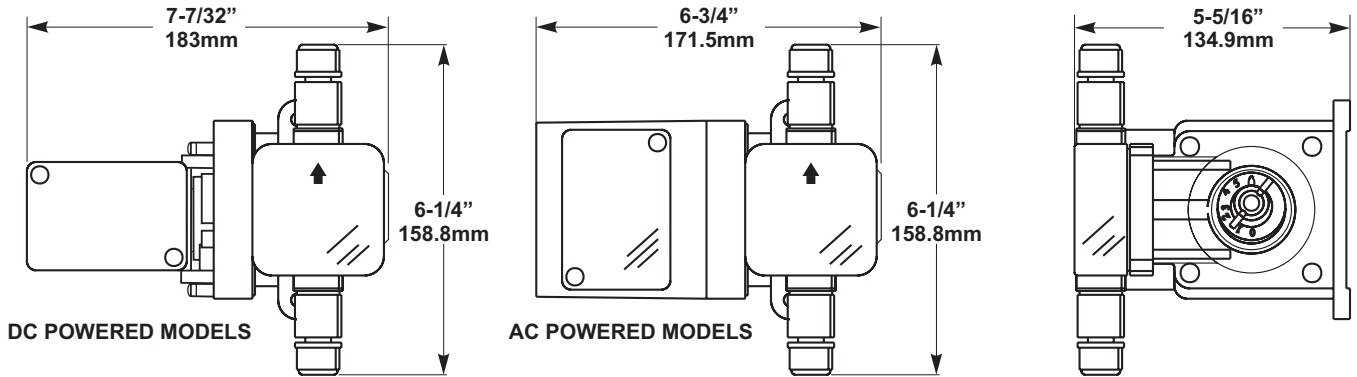
Ball Seat O-ring: .....TFE/P (optional EP)

Static Seal O-ring: .....Viton<sup>®</sup> (optional EP)

# Blue-White Industries, Ltd.

## CHEM-FEED® Diaphragm Metering Pumps

### Dimensions:



### Model Number Matrix:

MODEL C-6		P	-
<b>Maximum Motor RPM</b>			
14 = 14 RPM	60 = 60 RPM		
30 = 30 RPM	125 = 125 RPM		
45 = 45 RPM	250 = 250 RPM		
<b>Pump Head / Wet Parts</b>			
P = Heavy duty cartridge style polypropylene head			
HV = High volume output acrylic head			
<b>Power Supply Voltage</b>			
115VAC = 115V/60Hz			
220VAC = 220V/50Hz (20% less output)			
230VAC = 230V/60Hz			
24VAC = 24V/60Hz			
12VDC = 12V DC			
24VDC = 24V DC			

### Flow rate and pressure capacities:

#### AC powered models:

Max Output at 0 PSI				Strokes	Max	115V/60Hz	230V/60Hz	220V/50Hz*
GPD	GPH	LPH	OZ/MIN	Per minute	PSI	Model Number	Model Number	Model Number
24	1.0	3.8	2.7	14	125	C-614P-115VAC	C-614P-230VAC	C-614P-220VAC
58	2.4	9.3	5.2	30	125	C-630P-115VAC	C-630P-230VAC	C-630P-220VAC
91	3.8	14.9	8.1	45	80	C-645P-115VAC	C-645P-230VAC	C-645P-220VAC
110	4.6	17.4	9.8	60	60	C-660P-115VAC	C-660P-230VAC	C-660P-220VAC
237	9.9	37.0	21.1	125	30	C-6125P-115VAC	C-6125P-230VAC	C-6125P-220VAC
389	16.2	61.4	34.6	250	10	C-6250P-115VAC	C-6250P-230VAC	C-6250P-220VAC

\* Note: 220V/50Hz models deliver approximately 20% less output.

#### DC powered models:

Max Output at 0 PSI				Strokes	Max	12V DC	24V DC
GPD	GPH	LPH	OZ/MIN	Per minute	PSI	Model Number	Model Number
33	1.4	5.3	2.9	14	125	C-614P-12VDC	C-614P-24VDC
74	3.1	11.7	6.5	30	125	C-630P-12VDC	C-630P-24VDC
112	4.7	17.8	10.0	45	80	C-645P-12VDC	C-645P-24VDC
148	6.2	23.5	13.2	60	60	C-660P-12VDC	C-660P-24VDC
316	13.2	49.9	28.1	125	30	C-6125P-12VDC	C-6125P-24VDC
516	21.5	81.4	45.8	250	10	C-6250P-12VDC	C-6250P-24VDC

### Maximum Output vs. Pressure Curve

